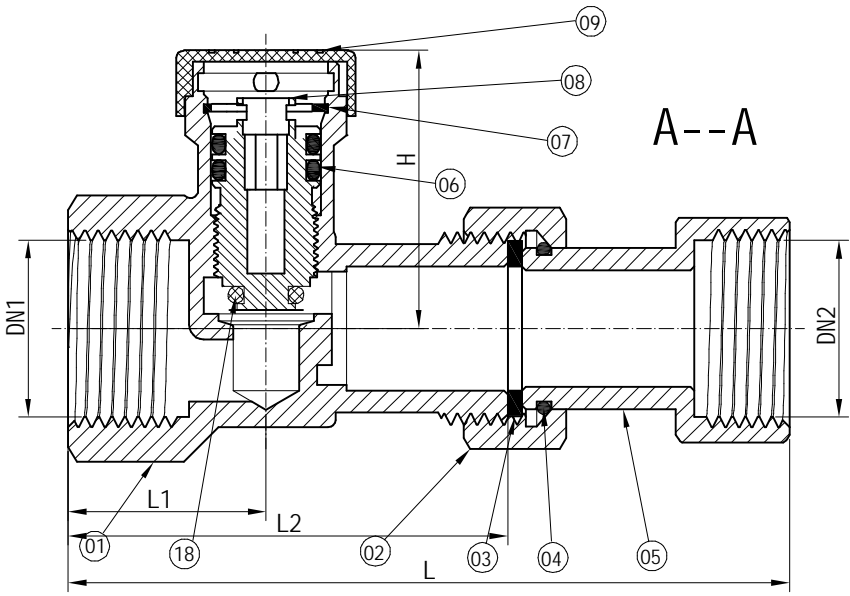


NO.	Part name	Material
1	Body	Brass
2	Hex-nut	Brass
3	PTFE gasket	PTFE
4	Circlip	s. s
5	Union	Brass
6	O-ring	EPDM
7	Circlip	s. s
8	Stem	Brass
9	Cover	Plastic
10	Body	Brass
11	O-ring	EPDM
12	Outfall	Plastic
13	Stem	Plastic
14	Wax-sealed	Plumbum
15	Brass wire	Copper
16	O-ring	EPDM
17	O-ring	EPDM
18	O-ring	EPDM



Code	DN1	DN2	H	L	L1	L2
512232040	3/4	3/4	38	98.5	27	60
512232050	1	1	38	94.5	23.5	55.5

JL-5124