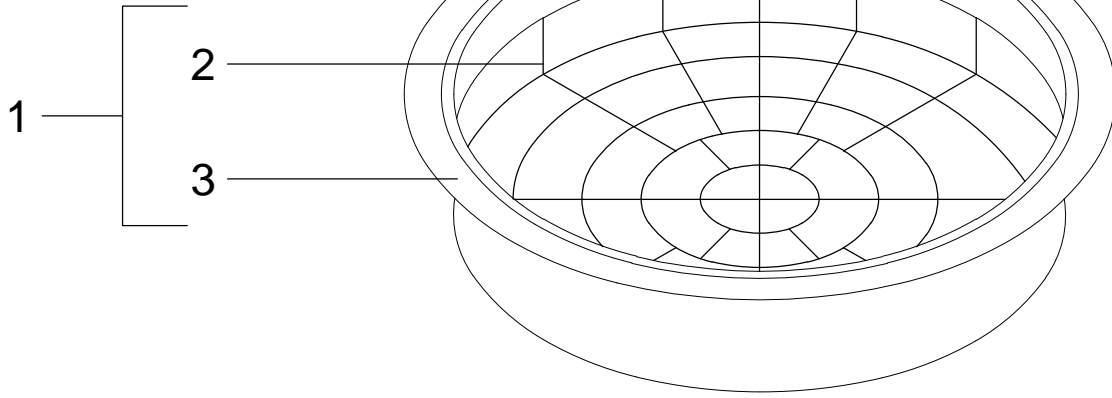


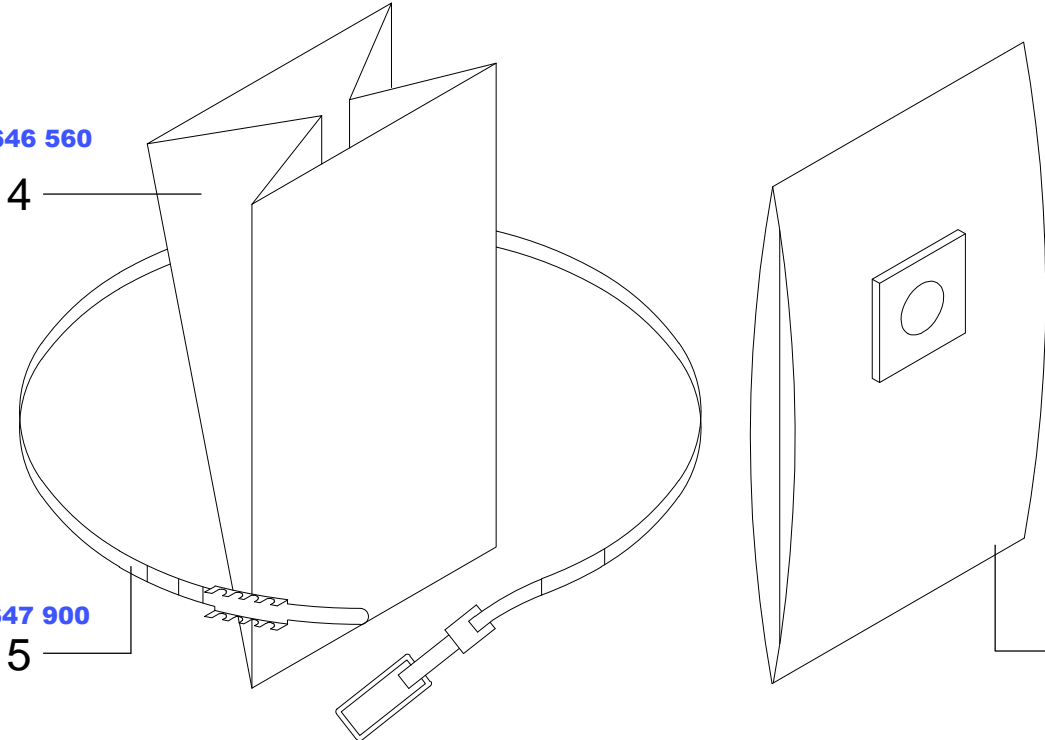
KV20/1&2 and KV30/1&2 CAN ASSEMBLY

OEG 410 647 200



ITEM	QTY	DESCRIPTION
1	1	14" STANDARD FILTER ASSEMBLY
2	1	14" FILTER FRAME
3	1	14" STANDARD FILTER CLOTH
4	1	K6 PAPER FILTER (KV30)
5	1	STRAP FOR 14" CAN
6A	1	K3 PAPER BAG (KV20)
6B	1	K4 PAPER BAG (KV30)
7A	1	KV20 CAN ASSEMBLY
7B	1	KV30 CAN ASSEMBLY
8	4	No10 x 1/2" PAN POZI PLASTITE SCREW
9	1	HOSE ENTRY SPIGOT DRY VAC
10	1	SPIGOT RETAINER FOR PLASTIC CAN
11	2	CURVED SURFACE HANDLE WITH SCREWS & WASHERS
12A	2	KV20-50 CLIP FOR PLASTIC HEAD
12B	2	KV20-110 CLIP FOR METAL HEAD
13	1	KV20/30 CHASSIS (NO CASTORS)
14	4	75mm CASTOR WITH NUT, BOLT & WASHER

OEG 410 646 560



OEG 410 647 900

