

RAK, RAZ
TR, TW, STB
TR/TB, TW/TB

Immersion tubes



Application

RAK... units are fitted with immersion tubes of 7 mm inner diameter, RAZ types with immersion tubes of 15 mm inner diameter and coupling springs.
For the thermostats TR, TW, STB and STW, you need immersion tubes of 7 mm inner diameter.
For the thermostats TR / TB and TW / TB, you need immersion tubes of 15 mm inner diameter.

Features

- Brass immersion tubes are designed for temperatures up to max. 130 °C. Steel immersion tubes must be used for temperatures over 130 °C.
- The immersion tube material depends on the installation (medium, tank material, etc.) and must be specified by the user.
- Brass immersion tubes PN10 and stainless steel immersion tubes V4A PN16 have sealed threads. Steel immersion tubes V4A PN40 are equipped with a sealing flange for flat packing.

Type summary

Immersion tubes	Immersion length R [mm]	Immersion tube material		
		Ms, R½", PN10 Order-no.	V4A, R½", PN16 Order-no.	V4A, G½", PN40 Order-no.
7 mm inner diameter Compatible with Ø 6.5 mm sensing elements	100	005-0601	005-0680	005-0640
	150	005-0602	005-0681	005-0641
	200	005-0603	005-0682	005-0642
	280	005-0604	005-0683	005-0643
	450	005-0605	005-0684	005-0644
	600	005-0606	005-0685	005-0645
2x7 mm inner diameter (double immersion tube)	100	005-0664	--	--
	150	005-0665	--	--
	200	005-0666	--	--
	280	005-0667	--	--
	450	005-0668	--	--
	600	005-0669	--	--
9 mm inner diameter Compatible with Ø 8.5 mm sensing elements	100	005-0660	--	--
	160	005-0661	--	--
	250	005-0662	--	--
	400	005-0663	--	--
15 mm inner diameter Compatible with 2 to 3 sensing elements with Ø 6.5 mm each	100	005-0607	005-0690	005-0650
	150	005-0608	005-0691	005-0651
	200	005-0609	005-0692	005-0652
	280	005-0610	005-0693	005-0653
	450	005-0611	005-0694	005-0654
	600	005-0612	005-0695	005-0655
Other dimensions or materials upon request		In-stock products		No in-stock products

Ms Tube and washer: CuZn37, nipple: CuZn39Pb3, treatment: Cu/Ni 3 s
V4A Material-no. tube and washer: 1.4571, nipple: 1.4435

PN10 Nominal pressure 10 bar, proof pressure 16 bar
PN16 Nominal pressure 16 bar, proof pressure 24 bar
PN40 Nominal pressure 40 bar, proof pressure 60 bar

Accessories

Description:

Order-no.



Coupling spring

005-0402

Coupling spring for use with 1 to 3 sensing elements to ensure firm contact with the wall of immersion tubes having 15 mm inner diameter



Capillary clamp

005-0403

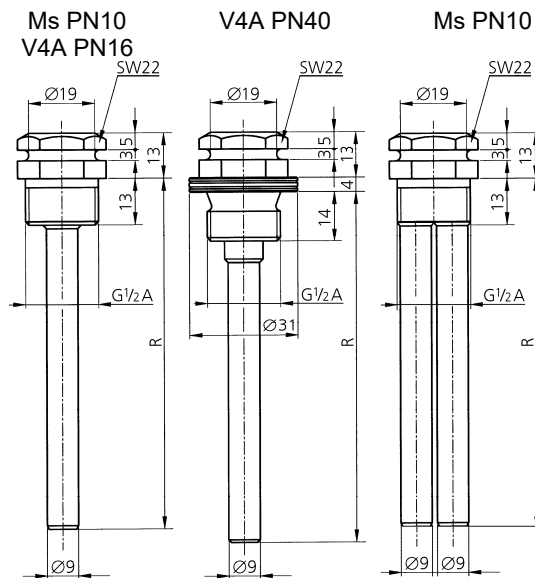
Fitted on immersion tube to prevent the sensing element from being pulled out of the immersion tube

Fitting notes

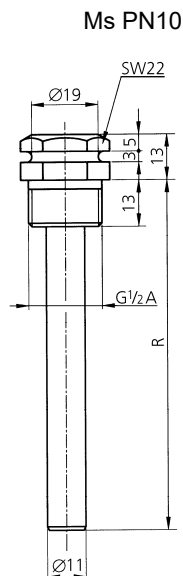
- Coupling springs and capillary clamps are essential when installing sensing elements for temperature controls in immersion tubes with inner diameter 15 mm.
- The immersion tubes must not be filled with oil. It is not permissible to use thermally conductive paste (or similar) when installing the sensing element in immersion tube.
- To comply with time factor requirements acc. EN 14597, immersion tubes must conform to drawing H 1 7111 3459.

Dimension drawing

Immersion tube inner \varnothing 7 mm / 2x7 mm



Immersion tube inner \varnothing 9 mm



Immersion tube inner \varnothing 15mm

